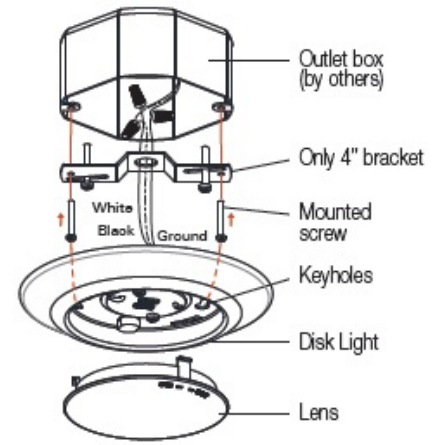
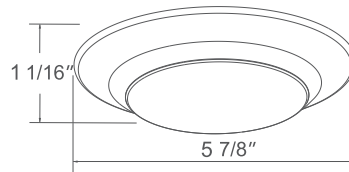


**8756**  
120V-60Hz

Catalog #:		Type
Project:		Date
Prepared by:		

## 4" Low-Profile Disk Light



4" Low-Profile Disk Light

### DESCRIPTION

This is a dimmable LED surface mount or retrofit module disk light with integrated driver on PC board. Designed for use in most 3-0 (3") or 4-0 (4") J-Box. Flexible for use in both retrofit and new construction applications this is a ideal choice for most any residential or light-commercial application.

### DESIGN FEATURES

#### Construction

- Spun aluminum housing provides ample heatsinking

#### Electrical

- 120V AC/60HZ | 277V available by request only
- CRI 90; 3000k
- 12W, 730lms
- Dimmable TRIAC, 10-100%
- Suitable for use in wet locations
- 50,000 hour projected life

#### Installation

- Mounting bracket fits most 3/O (3") or 4/O (4") j-box applications
- Dimensions: 5 7/8" x 1 1/16" Height
- With retrofit option can be mounted in compatible recessed housings

#### Lens

- Frosted polycarbonate lens protects LEDs and provides a uniform distribution of light

#### Compatible Housings

- 8201HA
- 8201HRA
- 8202HA

#### Finish

- Available in white, black, or oil rubbed bronze

#### Certifications

- cCSAus for use in wet locations
- Energy Star Listed
- JA8 and State of California Title 24 Compliant
- 5 year limited warranty

ORDERING		Example: 8756BN-90-3K-R			
Model #	Finish	CRI	CCT	Retrofit	
8756		-90	-3K		
8756	WH : White	-90	-3K	-R	
	BK : Black				
	OB : Oil Rubbed Bronze				

TEL: 800.937.6925 | Fax: 800.207.9509 | [www.rplighting.com](http://www.rplighting.com)

Specifications and dimensions subject to change without notice.



7/28/20 R1

