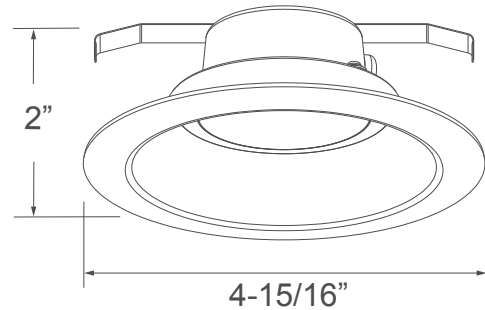


8763

120V-60Hz

| | | |
|--------------|--|------|
| Catalog #: | | Type |
| Project: | | Date |
| Prepared by: | | |

4" Recessed LED Module Reflector



4" Recessed LED Module Reflector

DESCRIPTION

The 8763 is a 4" Recessed LED Module Reflector that is a quick, easy, and affordable way to upgrade to an energy efficient LED down light solution. Flexible for use in both retrofit and new construction applications, and suitable for use in wet locations, this is a ideal choice for most any residential or light-commercial environment.

DESIGN FEATURES

Construction

- Aluminum housing
- Lens: Polycarbonate Diffused Lens

Electrical

- 120V-60Hz
- Dimmable
- 50,000 hour projected life
- 90CRI
- 10W | 600lm
- Available in 3000 or 4000K
- Beam Angle: 90.5°

Installation

- Simple and easy 4" recessed housing installation
- E26 adapter is standard

Available Housings

| Airtight | IC Airtight | Fire-Rated |
|----------|-------------|------------|
| 8201HA | 8202HA | 8216FR-JB |
| 8201HRA | 8215HA | |
| | 8215HRA | |

Dimensions

- Height: 2" x Width: 4-15/16"

Certifications

- Energy Star
- cETLus Certified for Wet locations
- California 24 Title listed
- 5 year limited warranty

ORDERING GUIDE

Example: 8763WH-90-3K

| Model # | Finish | CRI | CCT |
|---------|----------------------------------------------------------------------------------------------------------------------------|-----------------------|------------------------------------------|
| 8763 | | -90 | |
| 8763 | BN : Brushed Nickel BK : Black OB : Oil Rubbed Bronze CL : Clear WH : White | -90 : 90 CRI, 600 lms | -3K : 3000K -4K : 4000K |



TEL: 800.937.6925 | Fax: 800.207.9509 | www.rplighting.com

Specifications and dimensions subject to change without notice.

8/31/2020 R1



LIGHTING • FANS