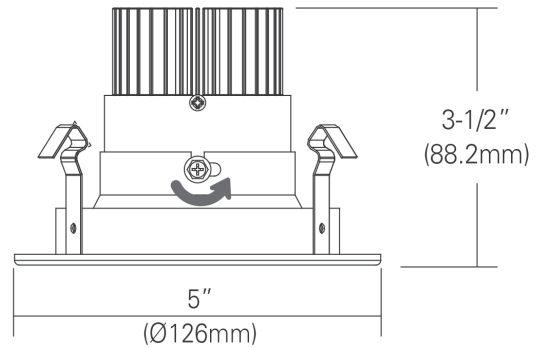


8770

120V

Catalog #:		Type
Project:		Date
Prepared by:		

4" Recessed LED Module



4" Recessed LED Module

DESCRIPTION

The 8770 is a 4" Recessed LED Module that is a quick, easy, and affordable way to upgrade to an energy efficient LED down light solution. Flexible for use in both retrofit and new construction applications, and suitable for use in wet locations, this is an ideal choice for most any residential or light-commercial environment.

DESIGN FEATURES

Construction

- Spun aluminum housing provides ample heatsinking

Electrical

- 120V-60Hz
- Dimmable TRIAC, 10-100%
- Suitable for use in damp locations
- 30,000 hour projected life
- 80CRI: 10W | 889Lm | 88.9Lm/W | Power Factor 0.99
- 90CRI: 10W | 710Lm | 71.0Lm/W | Power Factor 0.99
- Available in 3000K | 80 or 90 CRI

Installation

- Simple and easy 4" recessed housing installation
- E26 adapter is standard

Available Housings

- IC Airtight: 8215HA | 8215HRA

Certifications

- Energy Star
- cCSAus Certified
- 5 year limited warranty

ORDERING GUIDE

Example: 8770CL-90-3K

Model #	Finish	CRI	CCT
8770	CL		-3K
8770	CL : Clear	-80 : 80 CRI, 889 lms -90 : 90 CRI, 710 lms	-3K : 3000K

TEL: 800.937.6925 | Fax: 800.207.9509 | www.rplighting.com

Specifications and dimensions subject to change without notice.

