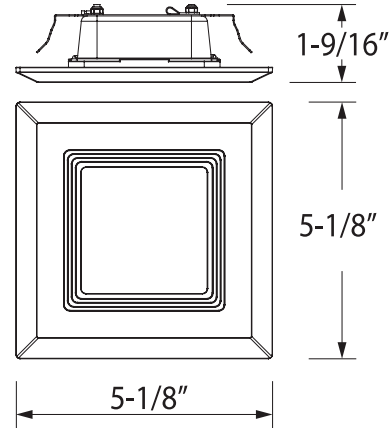


8773
120V

Catalog #:		Type
Project:		Date
Prepared by:		

4" LED Recessed Square Module



LED Recessed Module

DESCRIPTION

The 4" Square with low profile recessed LED module & trim kit with E26 medium screw base. It's designed for use with most 4" housings classified.

DESIGN FEATURES

Construction

- One piece light engine integrate with durable die cast housing

Electrical

- 120V AC
- Dimmable TRIAC, 10-100%
- E26 adapter is standard
- 50,000 hour projected life
- 11W | 700Lm | 63.64Lm/W
- 90 CRI | 3000K or 4000K

Lens

- Heat treated frosted glass diffuse provides a soft, luminous glow

Installation

- Easy installation to housing by proper spring load to be compatible with most of cans

Compatible Housings

Airtight	IC Airtight
8201HA	8202HA
8201HRA	8215HA
	8215HRA

Dimensions

- 5.125" x 5.125" x 1.562"

Certifications

- cCSAus listed for damp location
- State of California Title 24
- Energy Star Listed
- 5 year limited warranty

ORDERING GUIDE

Example: 8773WH-90-3K

Model #	Finish	CRI	CCT
8773	WH	-90	
8773	WH : White	-90 : 90 CRI, 700 lms	-3K : 3000K -4K : 4000K

TEL: 800.937.6925 | Fax: 800.207.9509 | www.rplighting.com

Specifications and dimensions subject to change without notice.



8/31/2020 R1



RP | LIGHTING • FANS