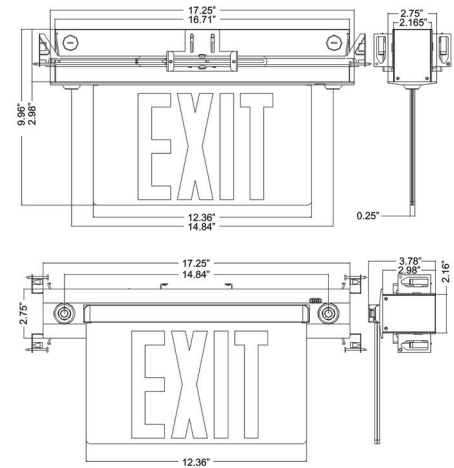
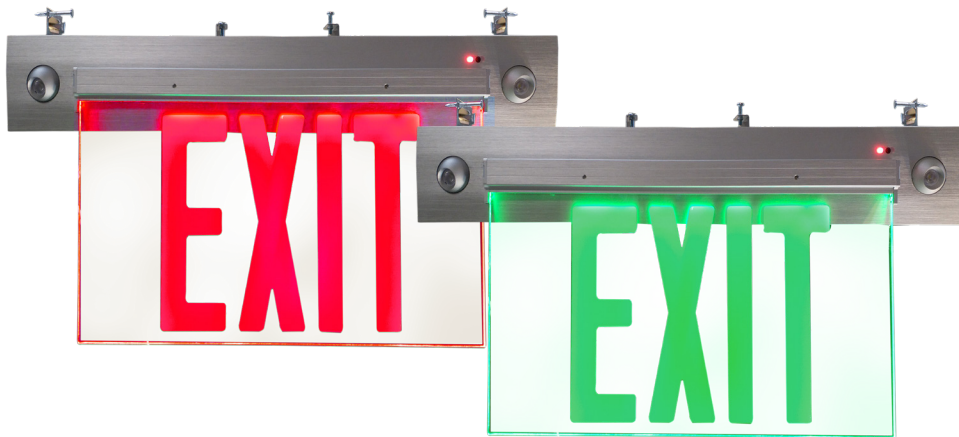


RXEL35, RXEL36

120/277V

| | | |
|--------------|--|------|
| Catalog #: | | Type |
| Project: | | Date |
| Prepared by: | | |

LED Recessed Edge-lit Exit and Emergency Light Combo



DESCRIPTION

This LED Recessed Edge-lit Exit and Emergency Light features an attractive style, easy installation and long-life LED lamps in a smaller package. Models are available for recessed ceiling or wall mounting incorporating emergency lighting in a more architectural unit.

DESIGN FEATURES

Construction

- Extrusion aluminum alloy trim plate with changeable Acrylic panel
- Low profile, ultra slim design
- Full angle adjustable lamp head
- Completely self-contained
- IC Rated

Electrical

- 120/277VAC 60Hz
- Source lumens: 300lm | delivered lumens: 250lm
- Max. 1.5W* 2pcs
- Ni-Mh 3.6V battery
- Beam angle: 30°
- Ambient temperature of 50°F (10°C) to 104°F (40°C)
- 50,000 hour projected life
- Protected from deep discharge by automatic low voltage disconnect circuitry. Whenever normal AC current fails, the integral state transfer switches automatically connects the internal battery to the fixture to keep the sign illuminated for at least 90 minutes

Installation

- Pre-installed bar hangers allow unit to be positioned at any point within a 24" joist span
- Pre-installed captive nails included
- Recessed ceiling and recessed wall mounting

Dimensions (W x D X H)

- 16-3/4" x 10" x 2-3/4"

Model

- **RXEL35:** Red or green single clear acrylic faceplate
- **RXEL36:** Red or green double mirrored finish faceplate

Certifications

- JA8 and State of California Title 24 Compliant
- UL listed for Damp location
- UL924 standard, comply with NFPA101, NFPA70, NEC and OSHA requirements
- 5 year limited warranty

ORDERING

Example: RXEL35GBA

| Model # | Finish |
|---------|-------------|
| RXEL35 | GBA : Green |
| RXEL36 | RBA : Red |



TEL: 800.937.6925 | Fax: 800.207.9509 | www.rplighting.com

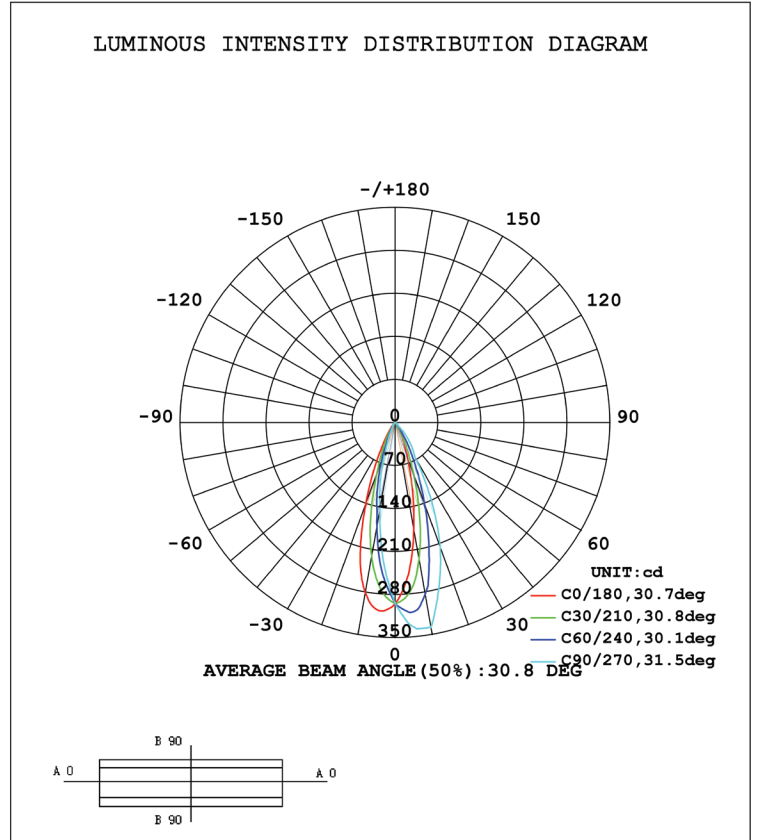
Specifications and dimensions subject to change without notice.

RXEL35, RXEL36

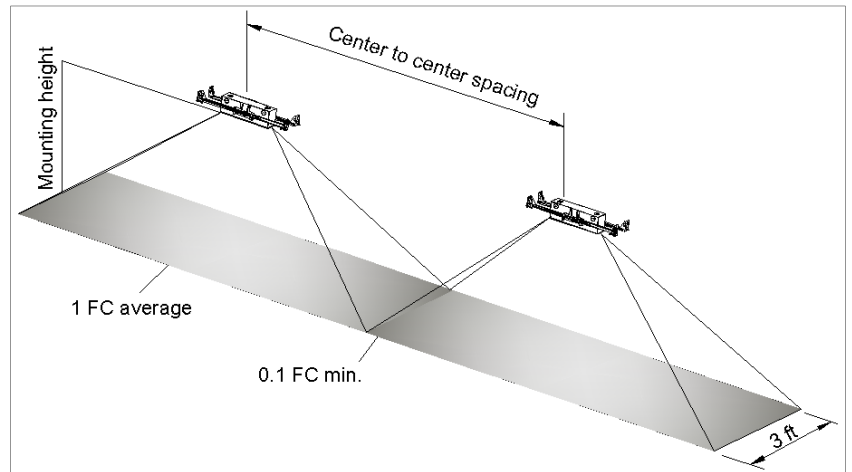
120/277V

LED Recessed Edge-lit Exit and Emergency Light Combo

Luminous Intensity Distribution



Center to Center Spacing -
 NFPA 101 requires 1.0 foot-candle average and 0.1 foot-candle minimum with a 40:1 maximum/minimum ratio. The corridor used is 100 feet long, 9' ceiling with a 6' wide walkway and 3' path of egress. The reflectance are 80% ceiling, 50% walls and 20% floor. The fixture mounting height is 7-1/2'.



| Model | Spacing @ 7.5' mounting height |
|--------|--------------------------------|
| RXEL35 | 24' |
| RXEL36 | 30' |