

RXL34 Series

120V/277V

| | | |
|--------------|--|------|
| Catalog #: | | Type |
| Project: | | Date |
| Prepared by: | | |

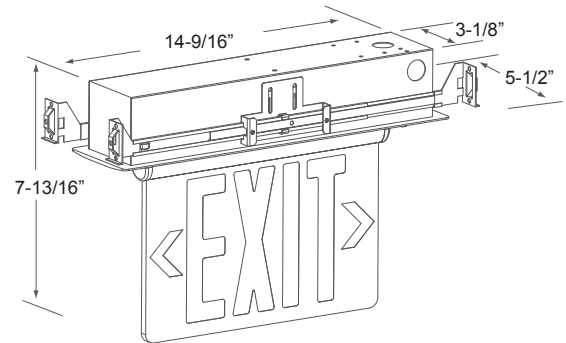
Recessed Exit Sign - Double Face



LED Green Letters, Double Face



LED Red Letters, Double Face



DESCRIPTION

When normal utility power fails, the internal solid-state transfer switch automatically connects the internal battery to the LED lamps, lighting a path of egress for no less than 90 minutes. When utility power is restored the battery is recharged by the onboard solid-state recharger. Full recharge is accomplished within 24 hours.

DESIGN FEATURES

Construction

- Completely self-contained
- Recessed, low-profile design
- Double mirrored finish faceplate
- Removable directional indicators included

Electrical

- 120/277V
- Operating temperature range: 10°C (50°F) to 40°C (104°F)
- Contains 4.8V Ni-cd rechargeable battery Energy consumption of less than 5 watts. Estimated 25 year LED lamp life
- 90 minutes of illumination in case of power failure
- Automatic, low voltage disconnect protects battery from deep discharge
- Fully automatic operation

Installation

- Included bar hangers allow the recessed housing to be positioned at any point within a 24" joist span
- Exit panel will pivot up to 90° for recessed wall or sloped ceiling installation

Dimensions (W x D X H)

- 14-9/16" x 5-1/2" x 7-13/16"

Finish

- RW: Red with white housing
- RBA: Red with brushed aluminum housing
- GW: Green with white housing
- GBA: Green with brushed aluminum housing

Certifications

- UL for damp location
- 5 year limited warranty

ORDERING

Example: RXL34-RW

| Model # | Finish |
|---------|--|
| RXL34 | |
| RXL34 | RW : Red with white housing RBA : Red with brushed aluminum housing GW : Green with white housing GBA : Green with brushed aluminum housing |

